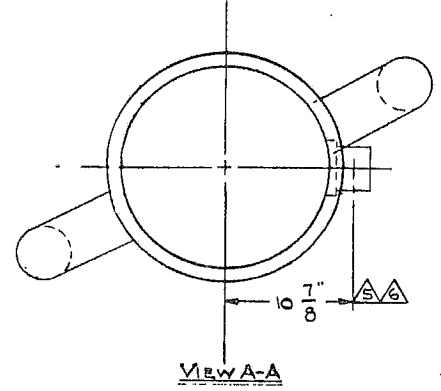
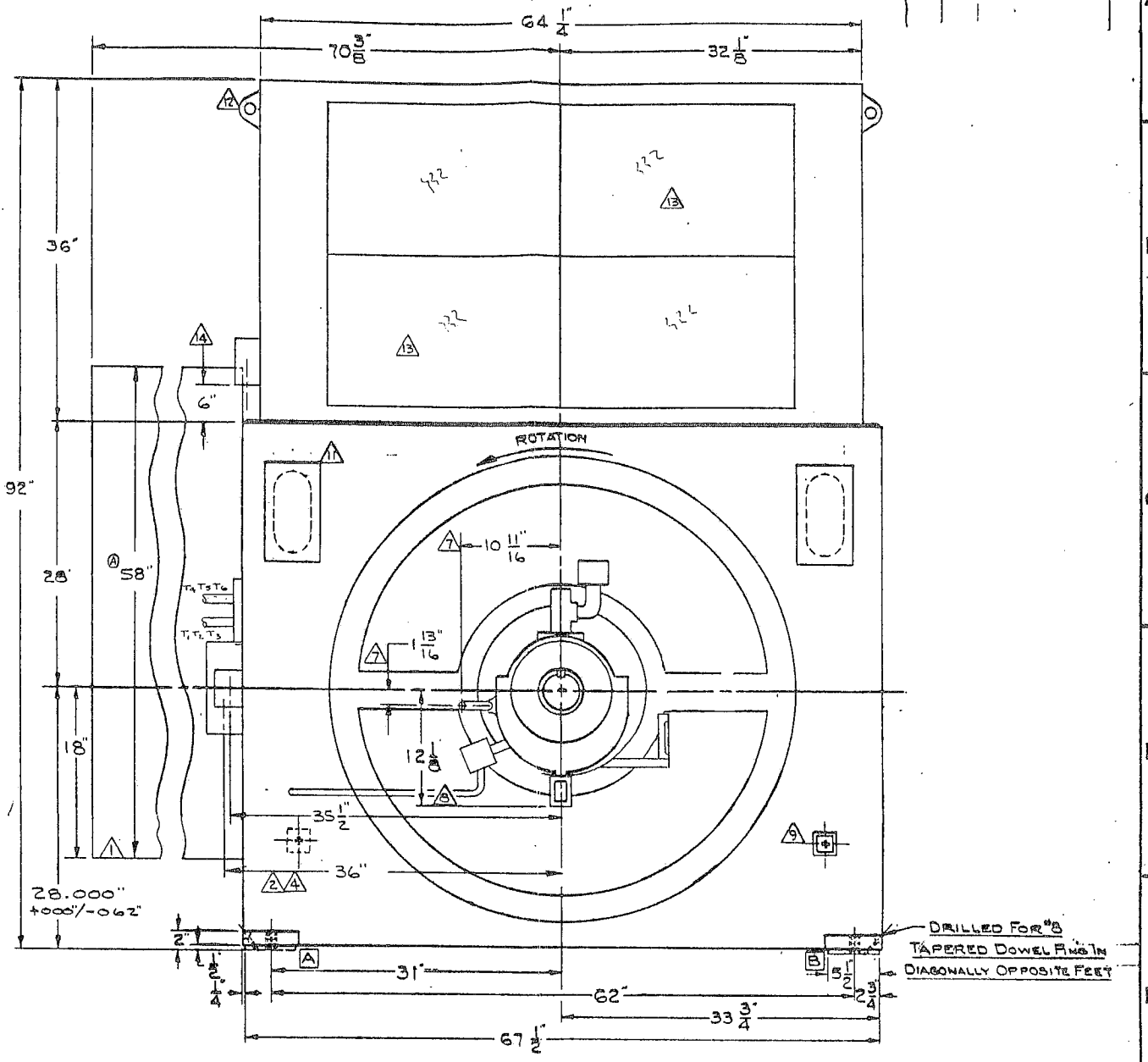
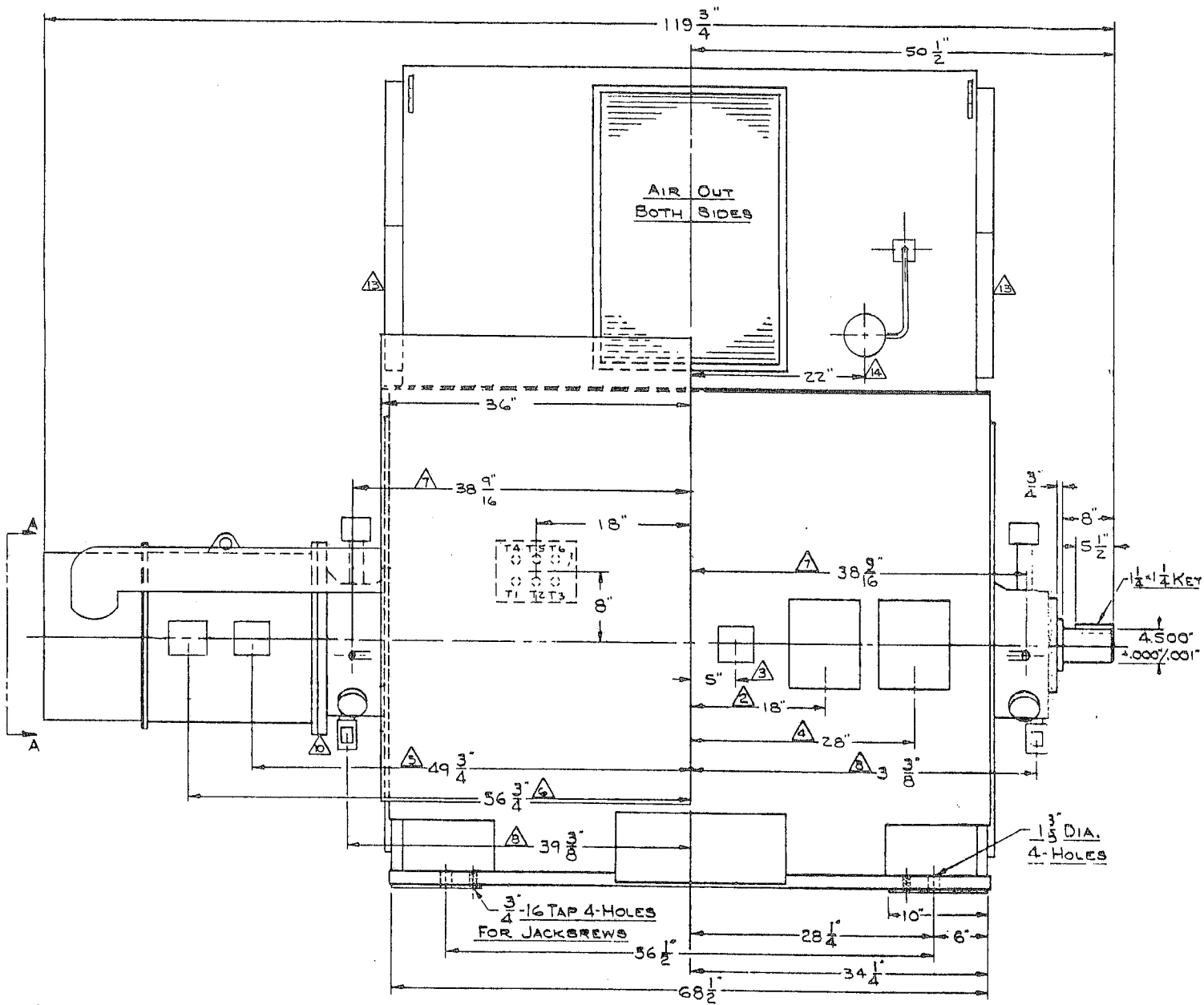


REV.	ZONE	CHANGE DESCRIPTION	BY
		3/21/96	
①	C7	4-10-96 PER ECN 19313	RM



- ① INCOMING LINE CURTICLE, SEE DRAWING 1405B-1442.
- ② ONE HOLE FOR 1-1/2" CONDUIT FOR STATOR TEMPERATURE DETECTORS, AND BEARING TEMPERATURE DETECTORS.
- ③ ONE HOLE FOR 1" CONDUIT FOR SPACE HEATER LEADS.
- ④ ONE HOLE FOR 1-1/2" CONDUIT FOR (4) VIBRATION PROXIMITORS, (2) FOR EACH BEARING.
- ⑤ ONE HOLE FOR 1" CONDUIT FOR PERMANENT ALTERNATOR LEADS.
- ⑥ ONE HOLE FOR 1-1/2" CONDUIT FOR EXCITER FIELD LEADS.
- ⑦ ONE HOLE FOR 1/2" N.P.T. MALE THREAD, OIL SUPPLY, ONE PER BEARING.
- ⑧ ONE HOLE FOR 1-1/4" N.P.T. FEMALE THREAD, OIL RETURN, ONE PER BEARING.
- ⑨ GROUNDING PADS - 5/16"-18 TAPPED HOLE LOCATED DIAGONALLY OPPOSITE OF EACH OTHER.
- ⑩ THIS BEARING IS INSULATED FROM GROUND, AND CONNECTION MUST BE INSULATED TO PRESERVE THE INTEGRITY OF THE INSULATION.
- ⑪ COVERED LIFTING SLOTS BOTH ENDS FOR LIFTING ENTIRE MACHINE. A FOUR POINT IS REQUIRED.
- ⑫ LIFTING LUGS FOR TOP COVER ONLY. DO NOT ATTEMPT TO LIFT ENTIRE MACHINE.
- ⑬ ALUMINUM AIR INTAKE FILTERS EACH END.
- ⑭ ONE HOLE FOR 1/2" CONDUIT FOR AIR PRESSURE DIFFERENTIAL SWITCH LEADS.

CERTIFICATION FOR: DRESSER RAND CO. CUST. NO. T-26361A
 STEAM TURBINE, MOTOR, GEN DIV D.O. OPEN
 37 COATS ST
 WELLSVILLE, NY 14895

FOR: CITY OF HARRISONBURG, VA

SN 961013-01
 QUANTITY: 1
 TYPE "SAB" HORIZONTAL BRUSHLESS SYNCHRONOUS GENERATOR RATED AS FOLLOWS:

2941 KVA, 2500 KW, .85 PF, 1800 RPM, 3 PHASE, 60 HZ, 4160 VOLTS, 6 LEADS, WYE CONNECTED, 105°C RISE BY RESISTANCE ABOVE A 40° C AMBIENT, CONTINUOUS DUTY, CLASS "F" INSULATION, 21120-18 FRAME.

CLOCKWISE SHAFT ROTATION FACING OPPOSITE DRIVE END OF UNIT WILL PRODUCE PHASE SEQUENCE OF T1-A, T2-B, T3-C.

	STATIC LOADS	FULL LOAD TORQUE	SHORT CIRCUIT TORQUE
A	8643 LBS. ↑	10869 LBS. ↑	28,258 LBS. ↑
B	8643 LBS. ↑	6,415 LBS. ↑	10,913 LBS. ↑

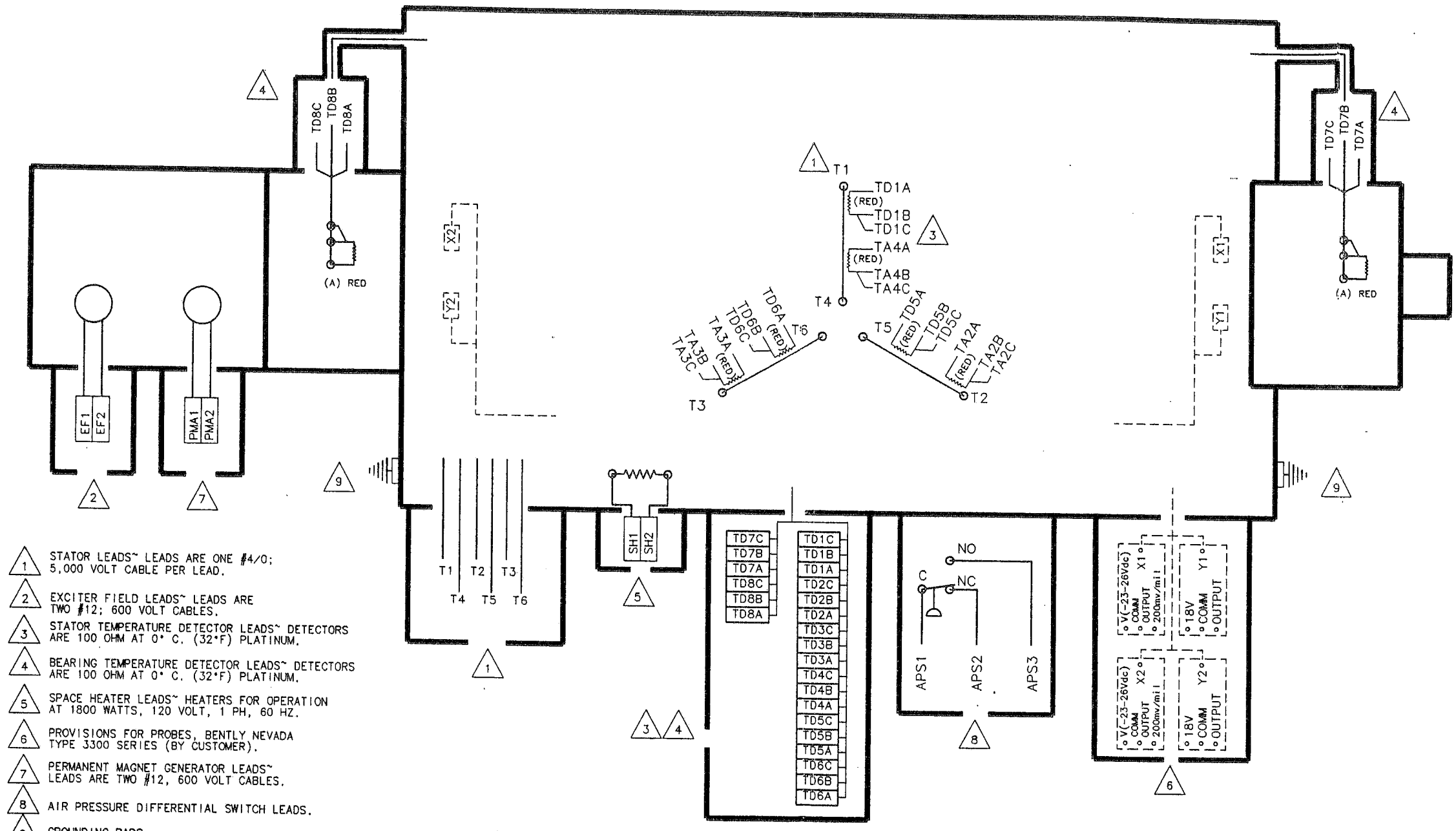
BEARING OIL REQUIREMENTS
 VISCOSITY ----- 100S.S.U. @ 100°F
 PRESSURE ----- 20 P.S.I.
 FLOW ----- 48 G.P.M.
 MAXIMUM OIL IN TEMP -- 140°F
 LOSSES ----- 1516 BTU/HR/ORG

ESTIMATED WEIGHTS
 ROTOR ----- 3,785
 STATOR ----- 13,500
 TOTAL ----- 17,285
 PR = 5284 KM PER ELECTRICAL RADIAN
 WR = 2430 LB. FT.²

THIS UNIT IS EQUIPPED WITH SLEEVE BEARINGS ALLOWING A NOMINAL 1/2 INCH MAXIMUM TOTAL COUPLING END FLOAT MUST BE .19 INCHES PER NFMA R21-81.

WORKING TOLERANCES UNLESS OTHERWISE SPECIFIED	FABRICATING	SURFACE ROUGHNESS	DESCRIPTION
1.01 THRU 2.00" 2.01 OVER 2.00" THRU 10.00" 2.03 OVER 10.00" ANGLES 2.0°	±.12 THRU 24.00 ±.24 OVER 24.00	125 MICRO 7. INCHES	TH 21120-4-18/BE13-4/PMA13-3 OUTLINE
ALL THREADS TO BE CLASS 2 UNIFIED			2) 5" SW. DIA. SW. GEN. W/ BRUSHLESS EXC.
<small>THIS DRAWING IS THE PROPERTY OF IDEAL ELECTRIC COMPANY. IT IS LOANED SUBJECT TO RETURN UPON DEMAND AND ALL INFORMATION THEREIN IS CONFIDENTIAL AND MUST NOT BE MADE PUBLIC AND IS NOT TO BE USED DIRECTLY OR INDIRECTLY IN ANY WAY DETRIMENTAL TO OUR INTERESTS.</small>			<small>IDEAL ELECTRIC COMPANY HARRISFIELD, OHIO, U.S.A.</small>

REVISIONS					
ZONE	REV	ECN	DESCRIPTION	DATE	APP.
-	-	-	ORIGINAL ISSUE	03-27-96	
A-1	1	19484	REVISE NOTE 6	06-17-96	



- 1 STATOR LEADS~ LEADS ARE ONE #4/0; 5,000 VOLT CABLE PER LEAD.
- 2 EXCITER FIELD LEADS~ LEADS ARE TWO #12; 600 VOLT CABLES.
- 3 STATOR TEMPERATURE DETECTOR LEADS~ DETECTORS ARE 100 OHM AT 0° C. (32°F) PLATINUM.
- 4 BEARING TEMPERATURE DETECTOR LEADS~ DETECTORS ARE 100 OHM AT 0° C. (32°F) PLATINUM.
- 5 SPACE HEATER LEADS~ HEATERS FOR OPERATION AT 1800 WATTS, 120 VOLT, 1 PH, 60 HZ.
- 6 PROVISIONS FOR PROBES, BENTLY NEVADA TYPE 3300 SERIES (BY CUSTOMER).
- 7 PERMANENT MAGNET GENERATOR LEADS~ LEADS ARE TWO #12, 600 VOLT CABLES.
- 8 AIR PRESSURE DIFFERENTIAL SWITCH LEADS.
- 9 GROUNDING PADS.

TD7C	TD1C
TD7B	TD1B
TD7A	TD1A
TD8C	TD2C
TD8B	TD2B
TD8A	TD2A
	TD3C
	TD3B
	TD3A
	TD4C
	TD4B
	TD4A
	TD5C
	TD5B
	TD5A
	TD6C
	TD6B
	TD6A

REF: C72202

FILE: 25A -2	WORKING TOLERANCES UNLESS OTHERWISE SPECIFIED			FIRST USED ON C961013-01 IEC ORDER NO.	IDEAL ELECTRIC CO. 330 EAST FIRST STREET MANFIELD, OHIO 44802-7700
	MACHINING	FABRICATION	FINISH		
	.01 THRU 2.00" *.015 OVER 2.00" THRU 10.00" *.03 OVER 10.00" ANGLE .8.5"	.12 THRU 24.00" *.24 OVER 24.00"	125 MICR ✓ THICKS		
	ALL DIMENSIONS IN INCHES UNLESS OTHERWISE SPECIFIED				
ALL THREADS TO BE CLASS 2 UNIFIED			BY DATE DR. DLK 03-27-96	ACCESSORY INTERCONNECTION DIAGRAM SIZE C DRG NO. C-72914 : 0 SCALE NONE WEIGHT SHEET 01 of 01	
THIS DRAWING IS THE PROPERTY OF IDEAL ELECTRIC COMPANY. IT IS LOANED SUBJECT TO RETURN UPON DEMAND AND ALL INFORMATION THEREIN IS CONFIDENTIAL AND MUST NOT BE REPRODUCED OR USED IN ANY MANNER WITHOUT THE WRITTEN PERMISSION OF IDEAL ELECTRIC COMPANY.			APP. *		
			APP.		