

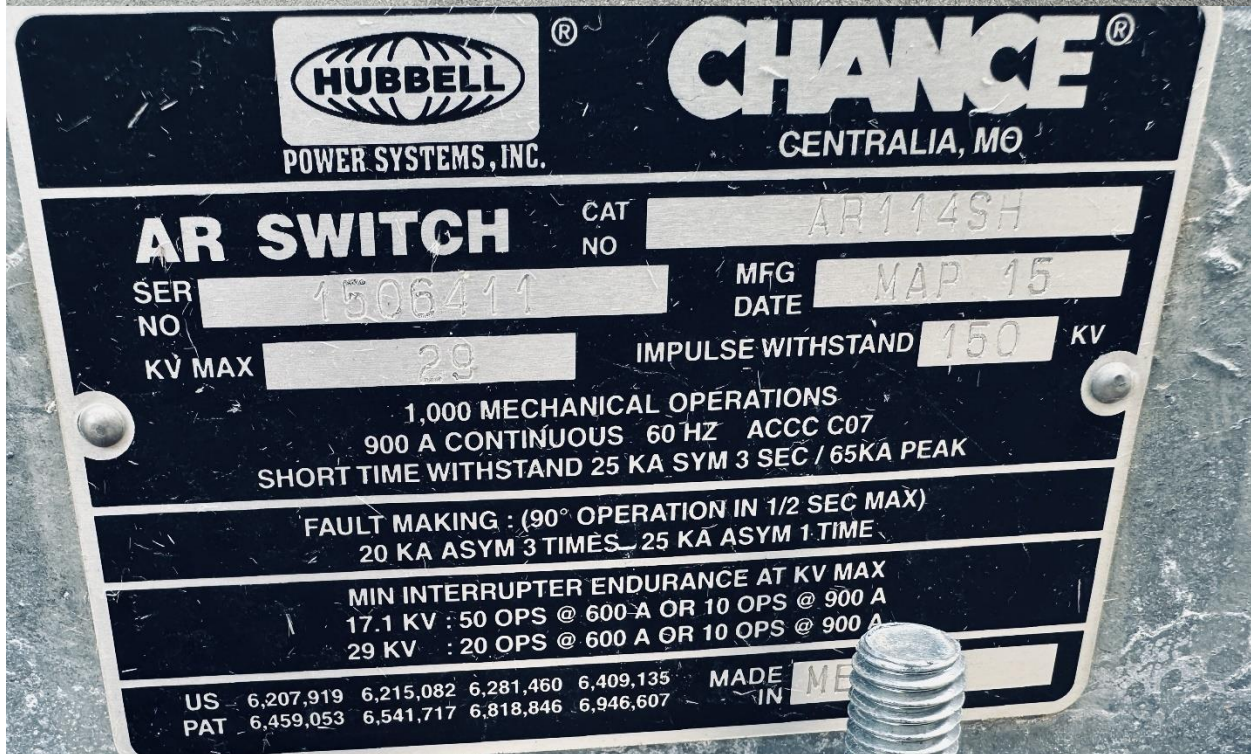
NSV Energy LLC  
35 Hickory Springs Industrial Drive  
Canton GA 30115

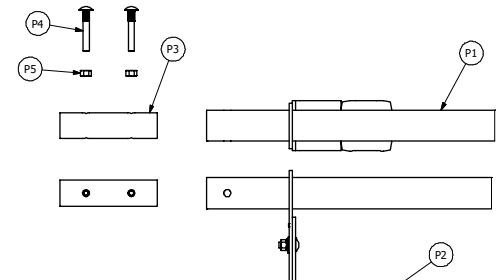
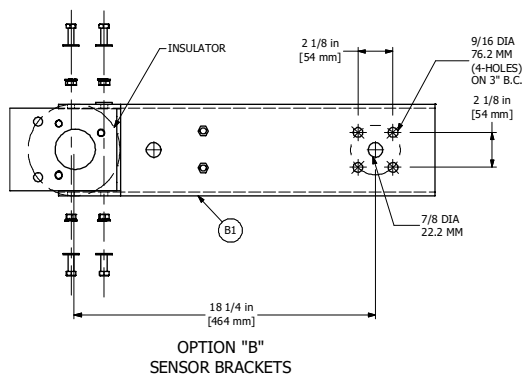
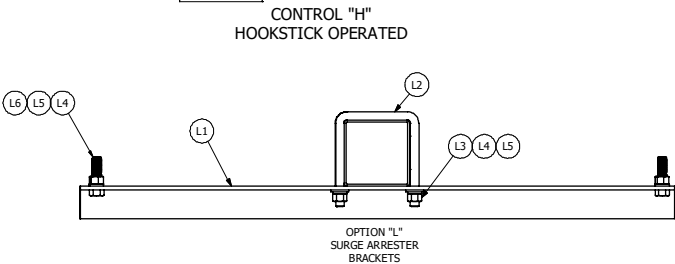
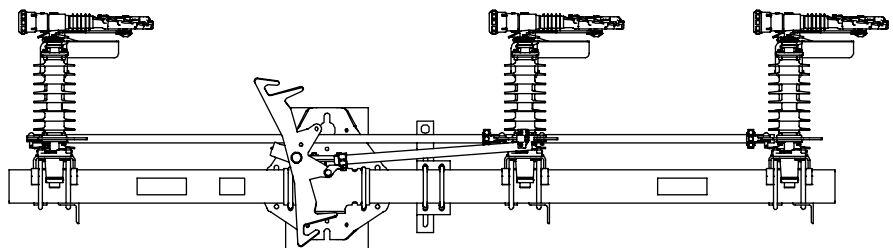
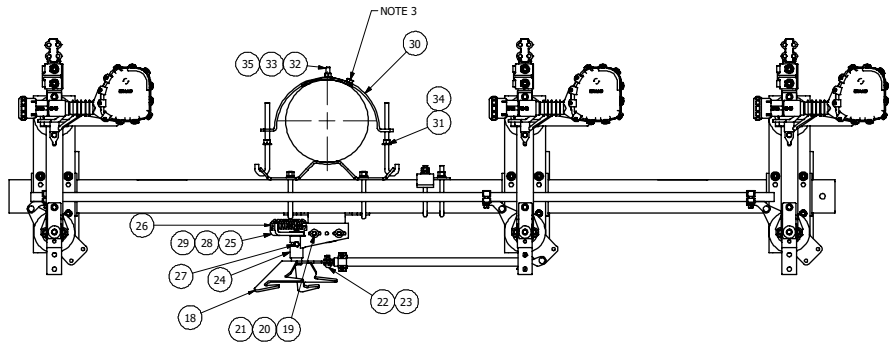


Stock # DS07

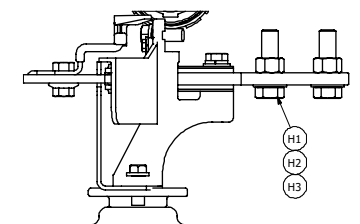
Five (5) Unused 900 amps Hubbl Power Systems AR switch, Cat# AR114SH, KV max 29kv, Impulse Stand 150Kv, 60 hz, Short time With Stand 25 ka sym 3 Seconds/ 65 ka Peak, MFG date 2015, Polymer, Horizontal mount, Hook stick operation, Serial Nos. 1506411, 1506409, 1506202, 1506407, 1506305, Made in Mexico

Shipping Size and weight 113" x 32" x 23" 170 lbs

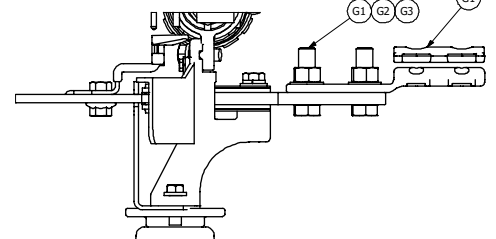




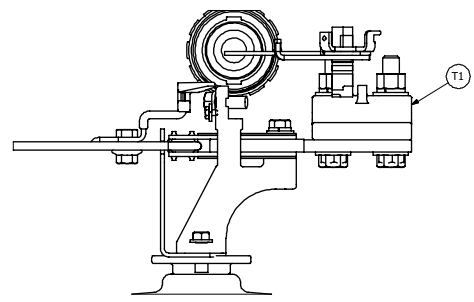
OPTION "P"  
ADDITIONAL 7 FT/2134 MM OF CONTROL PIPE,  
COUPLING, GUIDE ASSEMBLY AND HARDWARE  
(NOT AVAILABLE WITH HOOKSTICK OPERATED CONTROL)



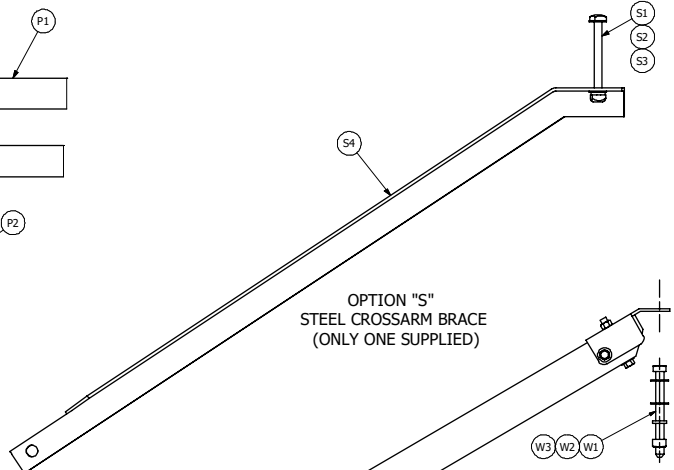
OPTION "H"  
CAPTIVE HARDWARE (TYPICAL 6 TERMINAL PADS)



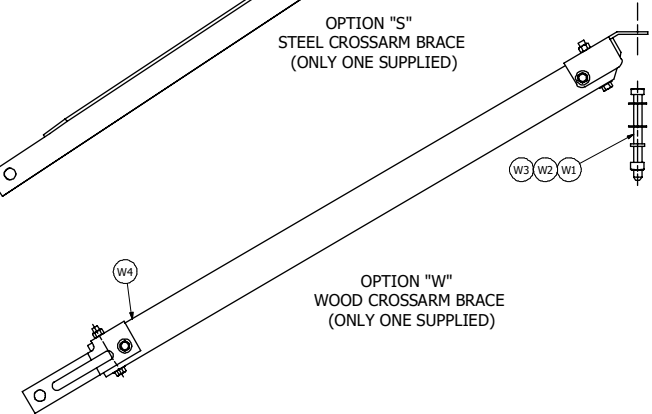
OPTION "G"  
TERMINAL CONNECTOR  
(BRONZE STRAIGHT BOLT TERMINAL CABLE TO FLAT TYPE SWL)



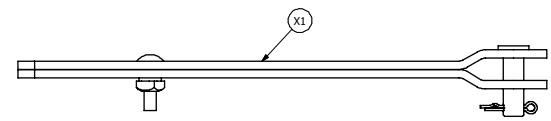
OPTION "T"  
TERMINAL CONNECTOR  
(PARALLEL GROOVE TERMINAL ASSEMBLY FOR #2-500 KCMIL)  
(TYPICAL 6 TERMINAL PADS)



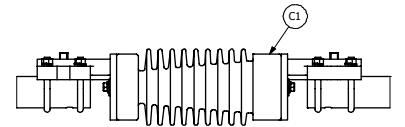
OPTION "S"  
STEEL CROSSARM BRACE  
(ONLY ONE SUPPLIED)



OPTION "W"  
WOOD CROSSARM BRACE  
(ONLY ONE SUPPLIED)



OPTION "X"  
EXTENSION LINKS 14IN/356MM  
(TYPICAL 6-PLACES)



OPTION "C"  
CONTROL INSULATOR  
(NOT AVAILABLE WITH HOOKSTICK OPERATED CONTROL)

<small>PROPRIETARY &amp; CONFIDENTIAL THIS DRAWING AND ITS CONTENTS ARE CONFIDENTIAL AND THE EXCLUSIVE PROPERTY OF HUBBELL POWER SYSTEMS, INC. NO PART OF THIS DOCUMENT OR HEREIN MAY BE REPRODUCED OR TRANSMITTED IN ANY FORM OR BY ANY MEANS, ELECTRONIC OR MECHANICAL, INCLUDING PHOTOCOPYING, RECORDING, OR BY ANY INFORMATION STORAGE AND RETRIEVAL SYSTEM, WITHOUT THE WRITTEN CONSENT OF HUBBELL POWER SYSTEMS, INC. UNPUBLISHED AND ALL RIGHTS RESERVED UNDER THE COPYRIGHT LAWS.</small>		<b>HUBBELL POWER SYSTEMS, Inc.</b>		
<small>THIS SYMBOL IDENTIFIES CRITICAL FEATURES. SYMBOLS USED - SYMBOLS NOT USED - UNLESS OTHERWISE SPECIFIED, ALL DIMENSIONS ARE IN INCHES.</small>		<small>SIZE</small> D <small>DWG NO.</small> SAAR11 <small>WOL:</small> 8996.59 <small>WV:</small> 3781.5	<small>CAT / PART / ASSY NO.</small> SAAR11 <small>DATE:</small> 1/23/2000 <small>DRN BY:</small> RDB	<small>REV</small> N <small>SHEET 2 OF 2</small>
<small>TITLE</small> <b>DRAWING SWITCH CONTROL</b>				