

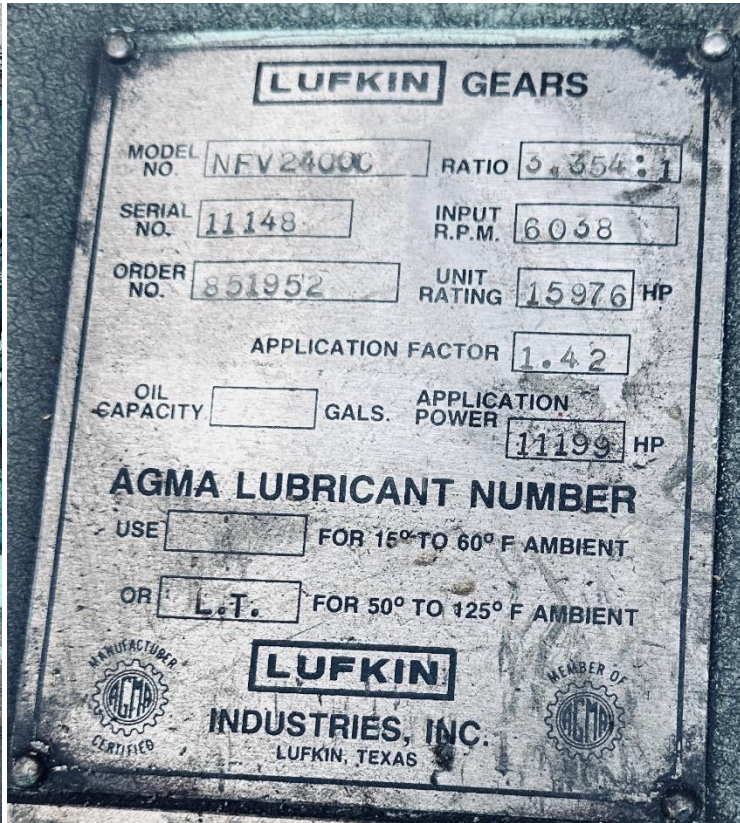
NSV Energy LLC
35 Hickory Springs Industrial Drive
Canton GA 30115

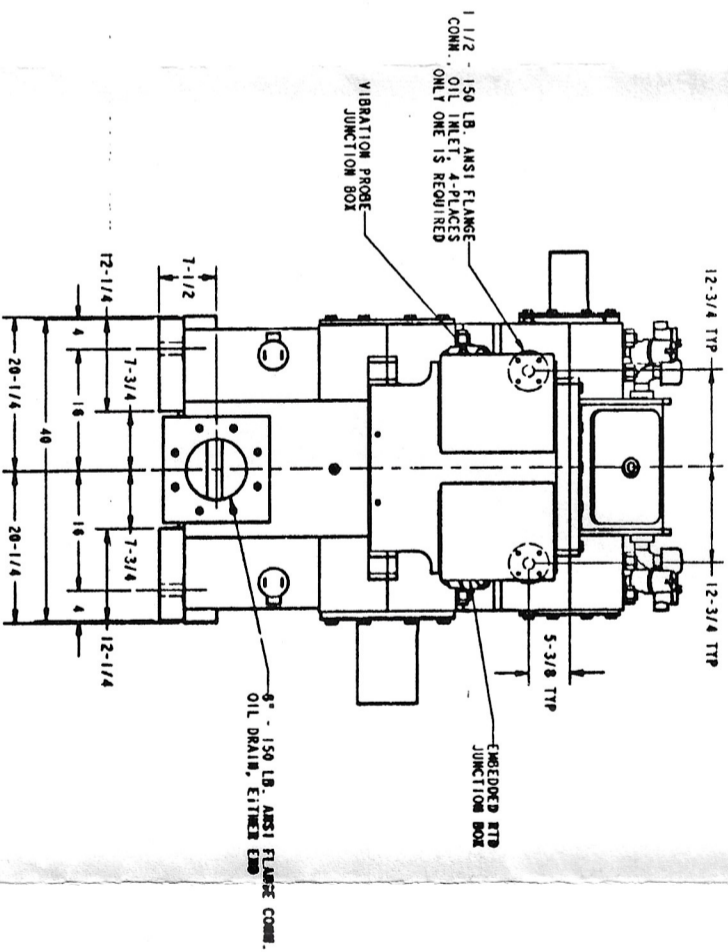
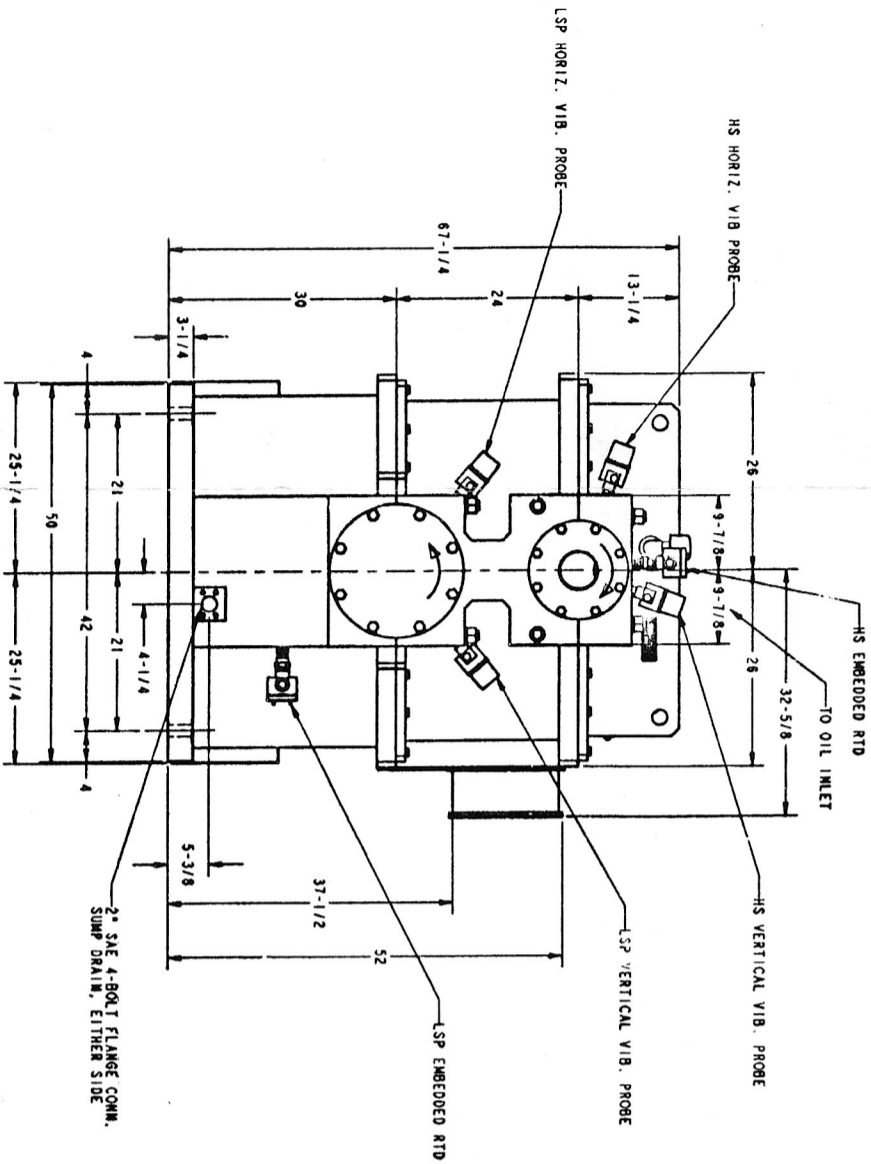
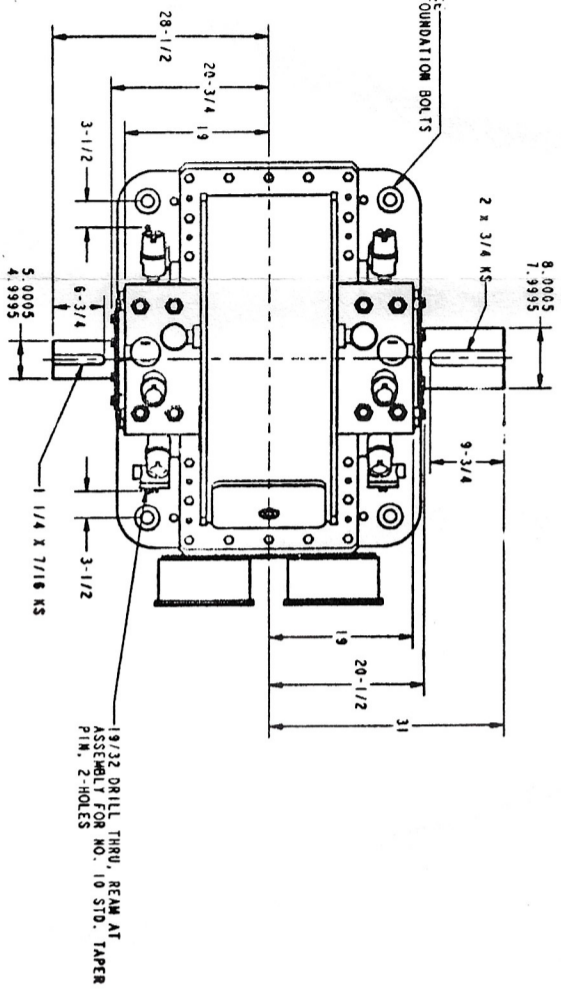


Stock# TG55

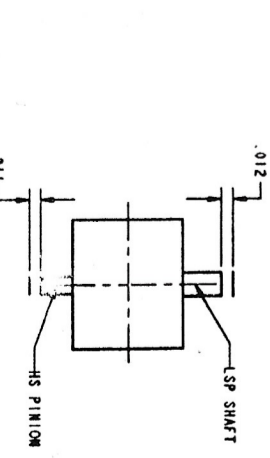
GEAR REDUCER

Manufacturer Lufkin
HP: 11199
Model no NFV24000
Inlet speed: 6038 rpm
Outlet speed 1800 rpm
Ratio: 3.354:1
Serial No. 11148
SF: 1.42





- NOTES:
1. UNIT ESTIMATED NET WT. = 13120 LBS.
 2. ALL ELECTRICAL CONNECTIONS MUST BE MADE BY A LICENSED ELECTRICIAN.
 3. CONNECTING PIPES MUST BE CLEANED BEFORE OPERATION.
 4. EMBEDDED RTD - MINICO NO. 3303P03480, SIMPLY ELEMENT PLATINUM ELEMENT, RESISTANCE - 100 OHM DIM (1.00385), SST OVERRAID.
 5. VIBRATION PROBE - BENTLY NEVADA NO. 330105-02-12-05-02-00
 6. PLACES BENTLY NEVADA NO. 330130-015-00-00
 7. COIL MOTOR BENTLY NEVADA NO. 330100-00-00
 8. TEMPERATURE SENSOR AND VIBRATION PROBE LEADERS TO BE RUN IN RIGID CONDUIT FROM SERVICE HEAD TO TERMINAL STRIPS AND PROXIMITORS IN WEATHER PROOF JUNCTION BOXES BY LUKIN.
 9. EMBEDDED RTD SET POINTS: HIGH BEARING TEMPERATURE ALARM - 210°F RISING HIGH BEARING TEMPERATURE SHUTDOWN - 225°F RISING HIGH BEARING TEMPERATURE SHUTDOWN - 235°F RISING HIGH BEARING TEMPERATURE SHUTDOWN - 250°F RISING HIGH SPEED SHAFT DISPLACEMENT - 2.5 MILS PEAK TO PEAK ALARM HIGH SPEED SHAFT DISPLACEMENT - 3.5 MILS PEAK TO PEAK SHUTDOWN LOW SPEED SHAFT DISPLACEMENT - 3.5 MILS PEAK TO PEAK SHUTDOWN (NOTE: THESE VALUES ARE ESTIMATES ONLY, FIELD CONDITIONS WILL DICTATE FINAL ALARM AND SHUTDOWN VALUES WHICH MAY BE HIGHER OR LOWER THAN THESE STARTING VALUES.)



LUKIN INDUSTRIES, INC.
LUKIN, TEXAS

CUSTOMER: DRESSER-AND/WELLSVILLE
CUSTOMER ORDER NO.: 7-33538
LUKIN ORDER NO.: 81352
LUKIN PART NO.: 330105-02-12-05-02-00
LUKIN PART NO.: 330130-015-00-00
LUKIN PART NO.: 330100-00-00
RECOMM. LUBE: OIL LIGHT THERMAL OIL
REQ'D WATER FLOW: GPM AT _____ °F MAX TEMP _____ °F
UNITS: LESS LUBE SYSTEM
MAX OIL FLOW: 54 GPM AT 20 PSI & 130 °F
HEAT REJECTION RATE: _____ BTU/HR
CERTIFIED: _____
DATE: 7-13-84

REV	DESCRIPTION OF CHANGE	DATE	BY	CHKD
A	GENERAL REVISION: SEE APERTURE CARD			

REV	DESCRIPTION OF CHANGE	DATE	BY	CHKD

ENGR. CODE NO.	MATERIAL SPECIFICATIONS

DATE	SCALE	BY	CHKD
MAY 8-20-84	SCALE 1"=1'-0"	APP BAA	(LIC-ENG)

PLAN, INSTALLATION - NFV2400C, 3.354:1 RATIO, VERTICAL REDUCER, CW ROTATION

SK17127-8

A